

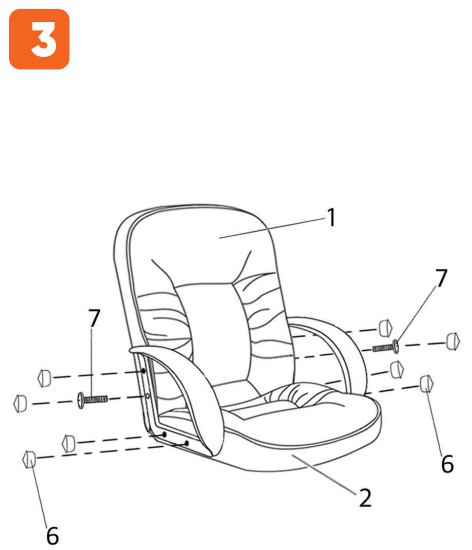
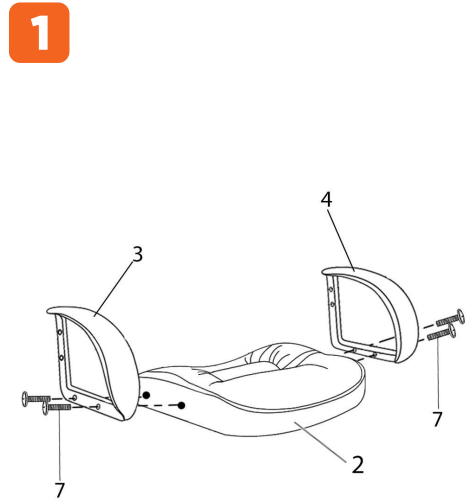


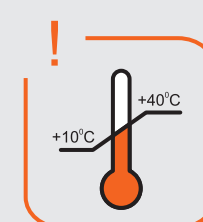
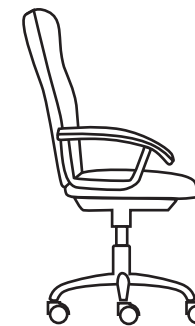
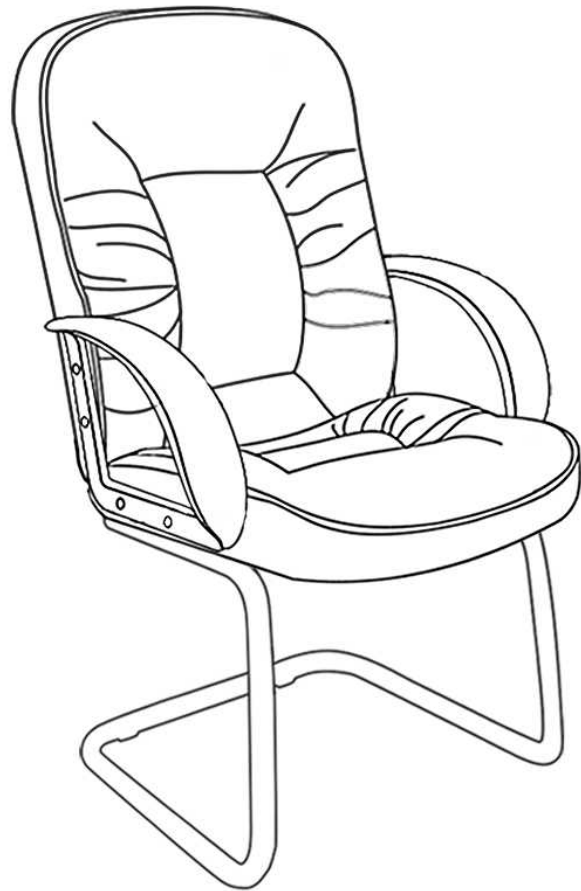
Chairman 416V

RU ИНСТРУКЦИЯ ПО СБОРКЕ
EN ASSEMBLY INSTRUCTIONS
DE AUFBAUANLEITUNG
FR INSTRUCTIONS DE MONTAGE
IT MANUALE D'USO
ES INSTRUCCIONES DE MONTAJE
CS NÁVOD K MONTÁŽI
KK ЖИНАУ ЖӨНІНДЕГІ НҰСҚАУЛЫҚ



STEP 1
 ↓
STEP 2





CHAIRMAN
ПОМОГАЕТ РАБОТАТЬ

- chairman.ru
- info@chairman.ru
- [instagram.com/chairman_chairs](https://www.instagram.com/chairman_chairs)
- vk.com/chairman_chairs
- [@chairs.chairman](https://www.facebook.com/@chairs.chairman)